

**CROWN**

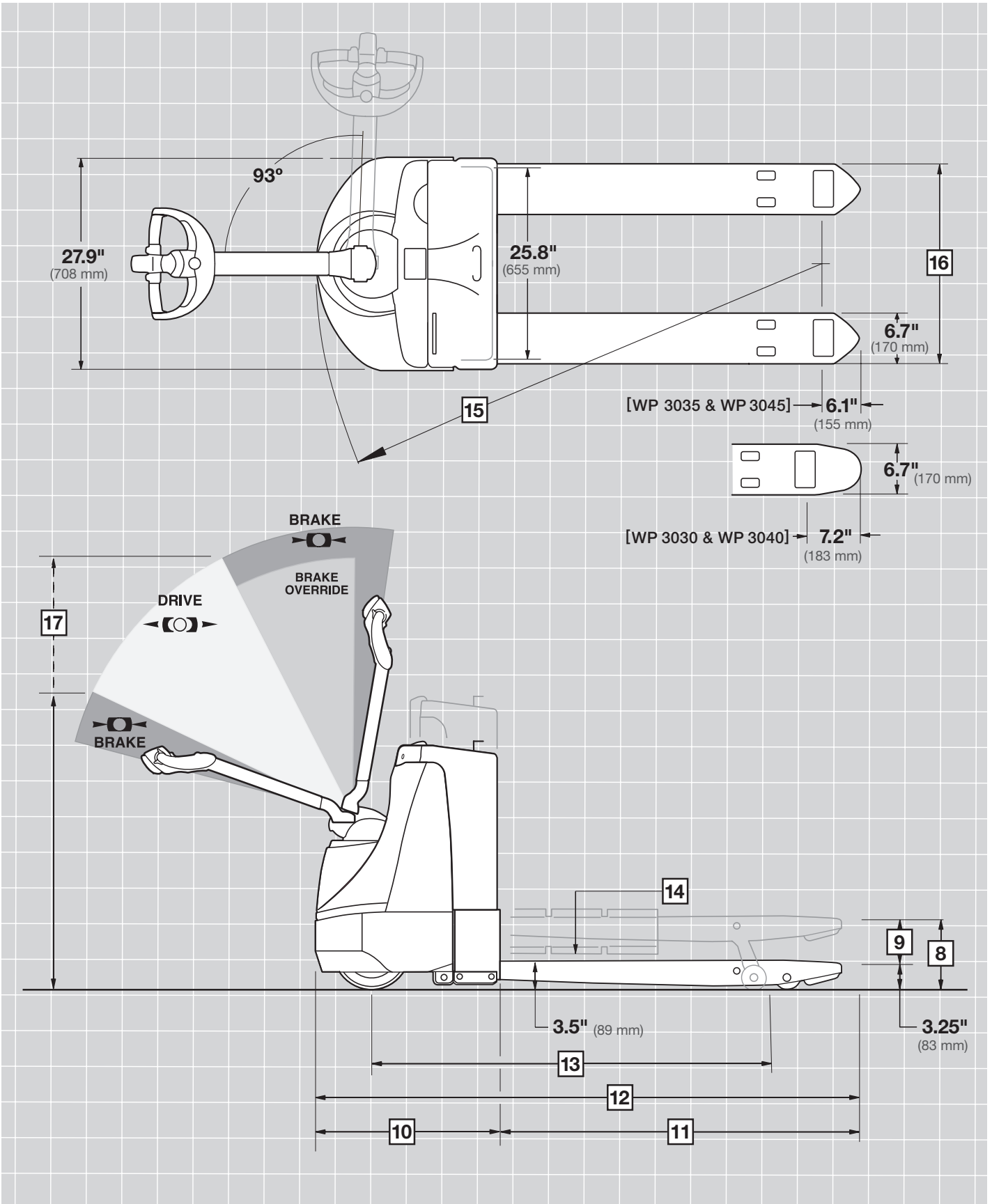
# **WP 3000** SERIES

## **Profile Sheet**

Walkie Pallet Truck



# WP 3000 Series



# WP 3000 Series

			Imperial	Metric	Imperial	Metric			
<b>General</b>	1	<b>Manufacturer</b>	Crown Equipment Corporation						
	2	<b>Model</b>	<b>WP 3030</b>		<b>WP 3035</b>				
	3	<b>Load Capacity</b>	lb	kg	4500	2020	4500	2020	
	4	<b>Power</b>	Electric	24 Volts		24 Volts			
	5	<b>Operator Type</b>	Stand-up	Walkie		Walkie			
<b>Dimensions</b>	8	<b>Lift Height</b>	in	mm	9.25	235	8.5	215	
	9	<b>Lift</b>	in	mm	6	150	5.2	130	
		<b>Battery Compartment</b>	Length	in	mm	7.9	202	7.9	202
	10	<b>Head Length</b>	in	mm	23.2	590	23.2	590	
	16	<b>Outside Fork Spread</b>	in	mm	18.1/21.3/26.4	460/540/670	18.1/21.3/26.4	460/540/670	
17	<b>Tiller Arm Height in Drive Position</b>	Min/Max	in	mm	31.1/47.5	790/1210	31.1/47.5	790/1210	
<b>Forks</b>		<b>Nominal Fork Length</b>	in	mm	36/42/48	915/1065/1220	36/42/48	915/1065/1220	
	11	<b>Actual Fork Length</b>	in	mm	35.6/41.7/47.6	905/1060/1210	33.6/39.7/45.6	855/1010/1160	
	12	<b>Overall Length</b>	in	mm	58.8/65.0/70.9	1485/1650/1800	56.8/62.9/68.8	1445/1600/1750	
	13	<b>Wheel Base</b>	Lowered	in	mm	44.2/50.3/56.2	1125/1280/1425	43.3/49.4/55.3	1100/1255/1405
			Raised	in	mm	39.6/45.7/51.7	1005/1160/1315	40.2/46.3/52.2	1020/1175/1325
	14	<b>Grade Clearance</b>	Raised	%	52.7/44.5/38.7	52.7/44.5/38.7	45.6/37.4/31.6	45.6/37.4/31.6	
		<b>Gradeability</b>	Loaded	%	10		10		
15	<b>Turning Radius</b>	Lowered	in	mm	51.6/57.7/63.6	1310/1465/1615	50.7/56.8/62.7	1290/1445/1595	
7	<b>Truck Weight*</b>	Less Battery	lb	kg	715	325	715	325	

			Crown Equipment Corporation						
<b>General</b>	1	<b>Manufacturer</b>	Crown Equipment Corporation						
	2	<b>Model</b>	<b>WP 3040</b>		<b>WP 3045</b>				
	3	<b>Load Capacity</b>	lb	kg	4500	2020	4500	2020	
	4	<b>Power</b>	Electric	24 Volts		24 Volts			
	5	<b>Operator Type</b>	Stand-up	Walkie		Walkie			
<b>Dimensions</b>	8	<b>Lift Height</b>	in	mm	9.25	235	8.5	215	
	9	<b>Lift</b>	in	mm	6	150	5.2	130	
		<b>Battery Compartment</b>	Length	in	mm	9.1	232	9.1	232
	10	<b>Head Length</b>	in	mm	24.4	620	24.4	620	
	16	<b>Outside Fork Spread</b>	in	mm	18.1/21.3/26.4	460/540/670	18.1/21.3/26.4	460/540/670	
17	<b>Tiller Arm Height in Drive Position</b>	Min/Max	in	mm	31.1/47.5	790/1210	31.1/47.5	790/1210	
<b>Forks</b>		<b>Nominal Fork Length</b>	in	mm	36/42/48	915/1065/1220	36/42/48	915/1065/1220	
	11	<b>Actual Fork Length</b>	in	mm	35.6/41.7/47.6	905/1060/1210	33.6/39.7/45.6	855/1010/1160	
	12	<b>Overall Length</b>	in	mm	60.0/66.1/72.0	1525/1680/1830	58.0/64.1/70.0	1475/1630/1780	
	13	<b>Wheel Base</b>	Lowered	in	mm	45.4/51.5/57.4	1155/1310/1460	44.5/50.6/56.5	1130/1285/1435
			Raised	in	mm	40.8/46.9/52.8	1035/1190/1340	41.4/47.5/53.4	1050/1205/1355
	14	<b>Grade Clearance</b>	Raised	%	50.9/43.2/37.8	50.9/43.2/37.8	43.7/36.0/30.6	43.7/36.0/30.6	
		<b>Gradeability</b>	Loaded	%	10		10		
15	<b>Turning Radius</b>	Lowered	in	mm	52.8/58.9/64.8	1345/1500/1650	51.9/58.0/63.9	1320/1475/1625	
7	<b>Truck Weight*</b>	Less Battery	lb	kg	715	325	715	325	

\*With 48" (1220 mm) forks

## 7.9" Battery Compartment (WP 3030/WP 3035)

<b>Battery Pack</b>		<b>Maintenance Free</b>	<b>Wet-cell Swing-out</b>	<b>Dry-cell Swing-out</b>
Four 6-volt Batteries	Amp Hour	195	160	160

## 9.1" Battery Compartment (WP 3040/WP 3045)

Industrial Battery	Max. Amp Hour	300
--------------------	---------------	-----

A built-in 30 amp charger is available as an option on all models.



**Crown Equipment Corporation**  
New Bremen, Ohio 45869 USA  
**Tel** 419-629-2311  
**Fax** 419-629-3796  
crown.com

**You can count on Crown to build lift trucks designed for safe operation, but that's only part of the safety equation. Crown encourages safe operating practices through ongoing operator training, safety-focused supervision, maintenance and a safe working environment. Go to [crown.com](http://crown.com) and view our safety section to learn more.**

Because Crown is continually improving its products, specifications are subject to change without notice.

Crown, the Crown logo, the color beige and the Momentum symbol are trademarks of Crown Equipment Corporation.

Copyright 2012 Crown Equipment Corporation  
SF18498 Rev. 03/12  
Printed in U.S.A.